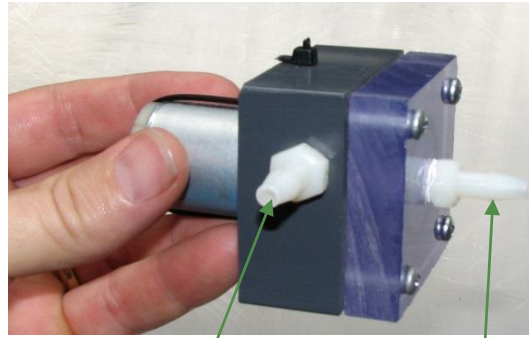
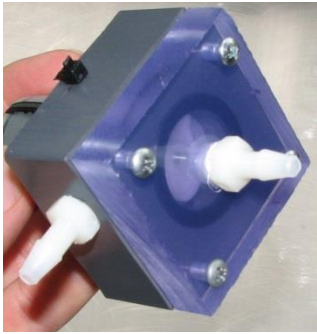
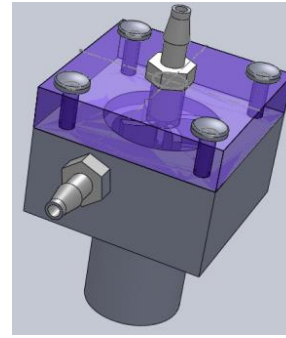


Pump



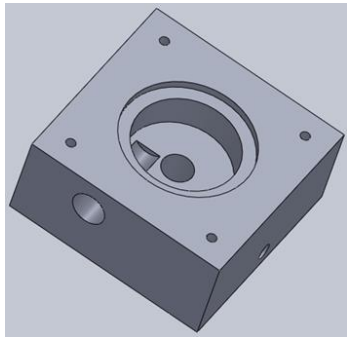
Outlet

Inlet

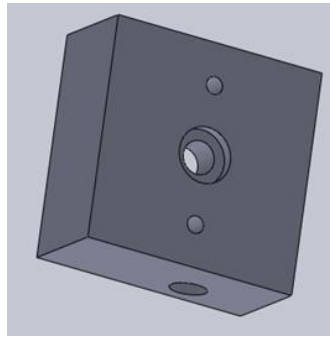


Pump Body

Front view



Back view



Pump Assembly:

